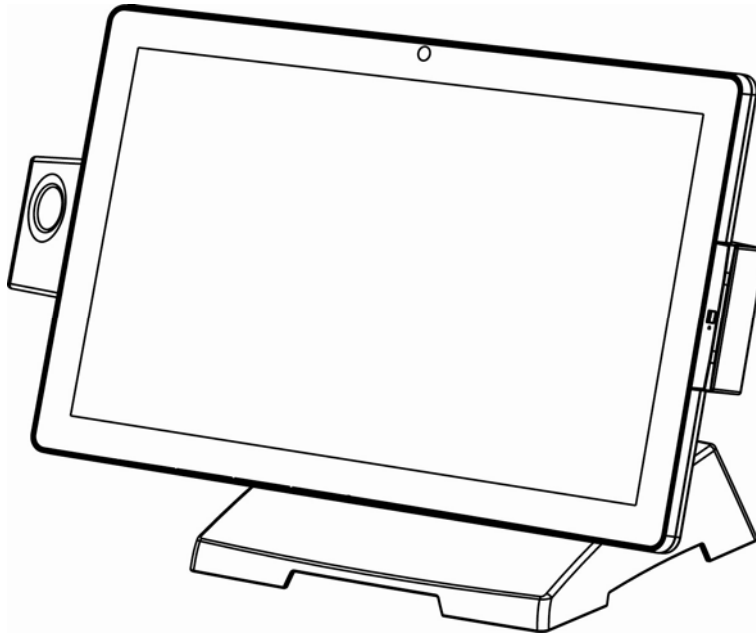


User Manual

Version 1.2 November 2013

Breeze185 All-in-one



Copyright 2013
All Rights Reserved
Manual Version 1.0

The information contained in this document is subject to change without notice. We make no warranty of any kind with regard to this material, including, but not limited to, the implied warranties of merchantability and fitness for a particular purpose. We shall not be liable for errors contained herein or for incidental or consequential damages in connection with the furnishing, performance, or use of this material.

This document contains proprietary information that is protected by copyright. All rights are reserved. No part of this document may be photocopied, reproduced or translated to another language without the prior written consent of the manufacturer.

TRADEMARK

Intel®, Pentium® and MMX are registered trademarks of Intel® Corporation. Microsoft® and Windows® are registered trademarks of Microsoft Corporation. Other trademarks mentioned herein are the property of their respective owners.

Safety

IMPORTANT SAFETY INSTRUCTIONS

1. To disconnect the machine from the electrical Power Supply, turn off the power switch and remove the power cord plug from the wall socket. The wall socket must be easily accessible and in close proximity to the machine.
2. Read these instructions carefully. Save these instructions for future reference.
3. Follow all warnings and instructions marked on the product.
4. Do not use this product near water.
5. Do not place this product on an unstable cart, stand, or table. The product may fall, causing serious damage to the product.
6. Slots and openings in the cabinet and the back or bottom are provided for ventilation; to ensure reliable operation of the product and to protect it from overheating. These openings must not be blocked or covered. The openings should never be blocked by placing the product on a bed, sofa, rug, or other similar surface. This product should never be placed near or over a radiator or heat register, or in a built-in installation unless proper ventilation is provided.
7. This product should be operated from the type of power indicated on the marking label. If you are not sure of the type of power available, consult your dealer or local power company.
8. Do not allow anything to rest on the power cord. Do not locate this product where persons will walk on the cord.
9. Never push objects of any kind into this product through cabinet slots as they may touch dangerous voltage points or short out parts that could result in a fire or electric shock. Never spill liquid of any kind on the product.



CE MARK

This device complies with the requirements of the EEC directive 2004/108/EC with regard to “Electromagnetic compatibility” and 2006/95/EC “Low Voltage Directive”



FCC

This device complies with part 15 of the FCC rules. Operation is subject to the following two conditions:

- (1) This device may not cause harmful interference.
- (2) This device must accept any interference received, including interference that may cause undesired operation

CAUTION ON LITHIUM BATTERIES

There is a danger of explosion if the battery is replaced incorrectly. Replace only with the same or equivalent type recommended by the manufacturer. Discard used batteries according to the manufacturer's instructions.



Battery Caution

Risk of explosion if battery is replaced by an incorrectly type.
Dispose of used battery according to the local disposal instructions.



Safety Caution

Note: To comply with IEC60950-1 Clause 2.5 (limited power sources, L.P.S) related legislation, peripherals shall be 4.7.3.2 "Materials for fire enclosure" compliant.

4.7.3.2 Materials for fire enclosures

For MOVABLE EQUIPMENT having a total mass not exceeding 18kg, the material of a FIRE ENCLOSURE, in the thinnest significant wall thickness used, shall be of V-1 CLASS MATERIAL or shall pass the test of Clause A.2.

For MOVABLE EQUIPMENT having a total mass exceeding 18kg and for all STATIONARY EQUIPMENT, the material of a FIRE ENCLOSURE, in the thinnest significant wall thickness used, shall be of 5VB CLASS MATERIAL or shall pass the test of Clause A.1

LEGISLATION AND WEEE SYMBOL

2012/19/EU Waste Electrical and Electronic Equipment Directive on the treatment, collection, recycling and disposal of electric and electronic devices and their components.



The crossed dustbin symbol on the device means that it should not be disposed of with other household wastes at the end of its working life. Instead, the device should be taken to the waste collection centers for activation of the treatment, collection, recycling and disposal procedure.

To prevent possible harm to the environment or human health from uncontrolled waste disposal, please separate this from other types of wastes and recycle it responsibly to promote the sustainable reuse of material resources.

Household users should contact either the retailer where they purchased this product, or their local government office, for details of where and how they can take this item for environmentally safe recycling.

Business users should contact their supplier and check the terms and conditions of the purchase contract.

This product should not be mixed with other commercial wastes for disposal.

Revision History


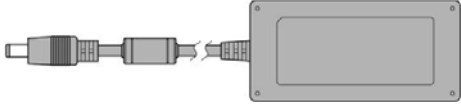



Revision	Date	Description
V1.0	May, 2013	● Release
V1.2	November, 2013	● Minor changes

Table of Contents

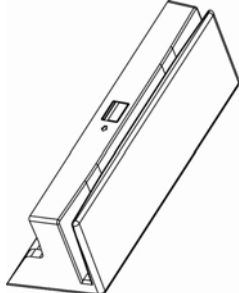
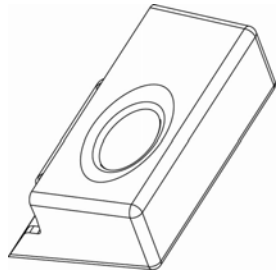
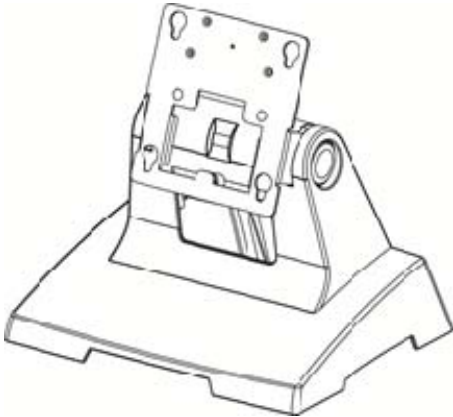
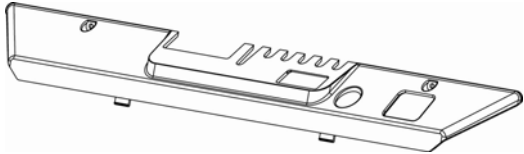
1 Item Checklist.....	1
1-1 Standard Items.....	1
1-2 Optional Items	2
2 System View	3
2-1 Front View	3
2-2 Side View	4
2-3 Rear View	4
2-4 Bottom View.....	5
2-5 Dimension & View Angle.....	5
2-6 I/O View (D2550 motherboard)	6
3 System Assembly & Disassembly.....	7
3-1 Install the Power Adapter.....	7
3-2 Replace the HDD.....	8
4 Peripherals Installation.....	9
4-1 Install the Stand	9
4-2 Install the MSR Module	10
4-3 Install the Fingerprint Reader.....	11
4-4 Install the Cable Manager	12
4-5 Install the Cash Drawer.....	13
5 Specification	15
6 Jumper Setting.....	17
6-1 C58 Motherboard.....	17
6-2 C78 Motherboard.....	21
Appendix: Driver Installation.....	25

1 Item Checklist

1-1 Standard Items

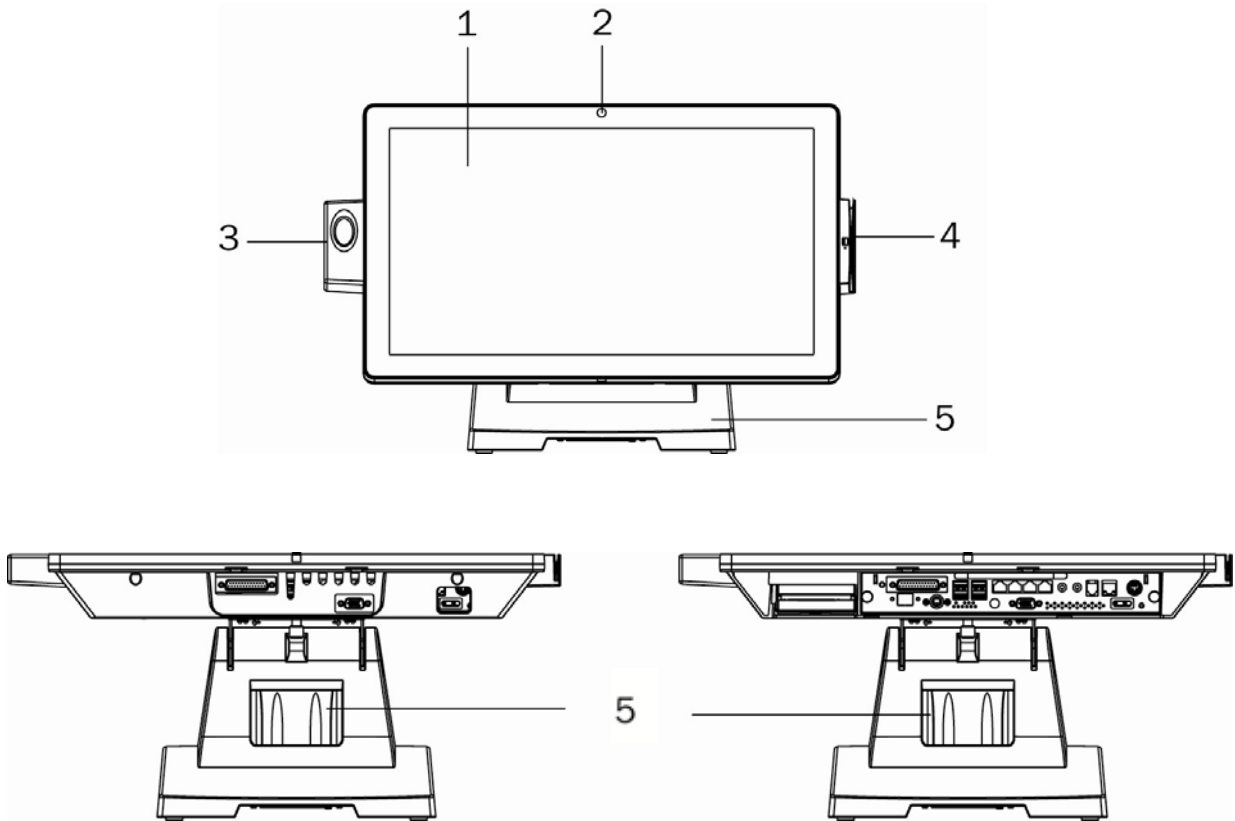
	
a. System(stand is optional)	b. Power adapter (90W)
	
c. Power cable	d. COM-RJ45 cable (x2)
	
e. Manual CD	

1-2 Optional Items

	
a. MSR module (USB Interface)	b. Fingerprint module (USB Interface)
	
c. Stand (with power supply bracket)	d. Cable manager

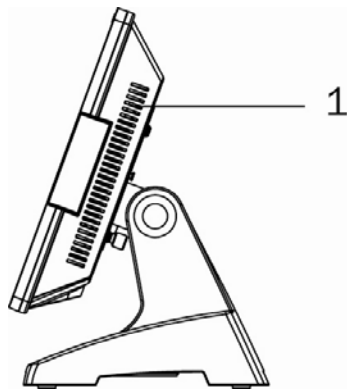
2 System View

2-1 Front View



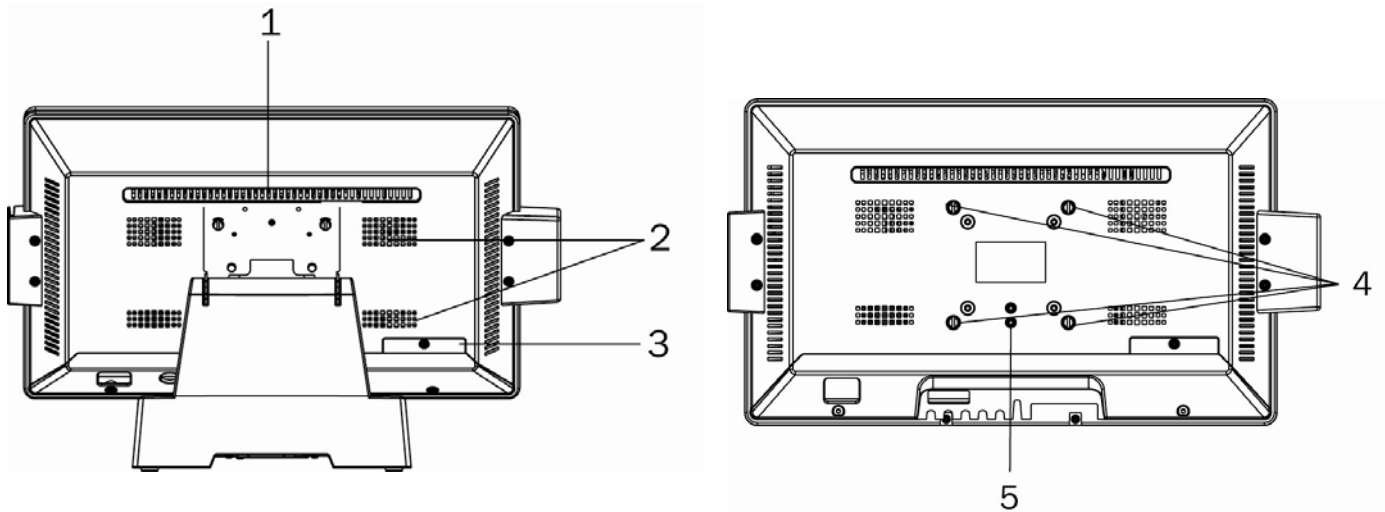
Number	Description
1	Touch panel
2	Camera (optional, for Capacitive touch only)
3	Fingerprint reader (optional)
4	MSR (optional)
5	Stand (optional)

2-2 Side View



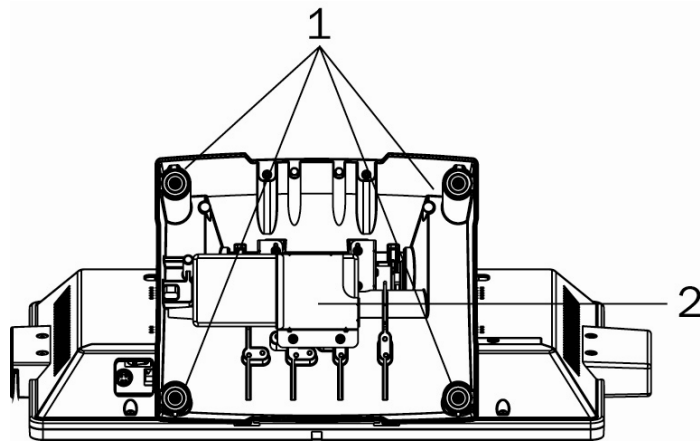
Number	Description
1	Ventilation holes

2-3 Rear View



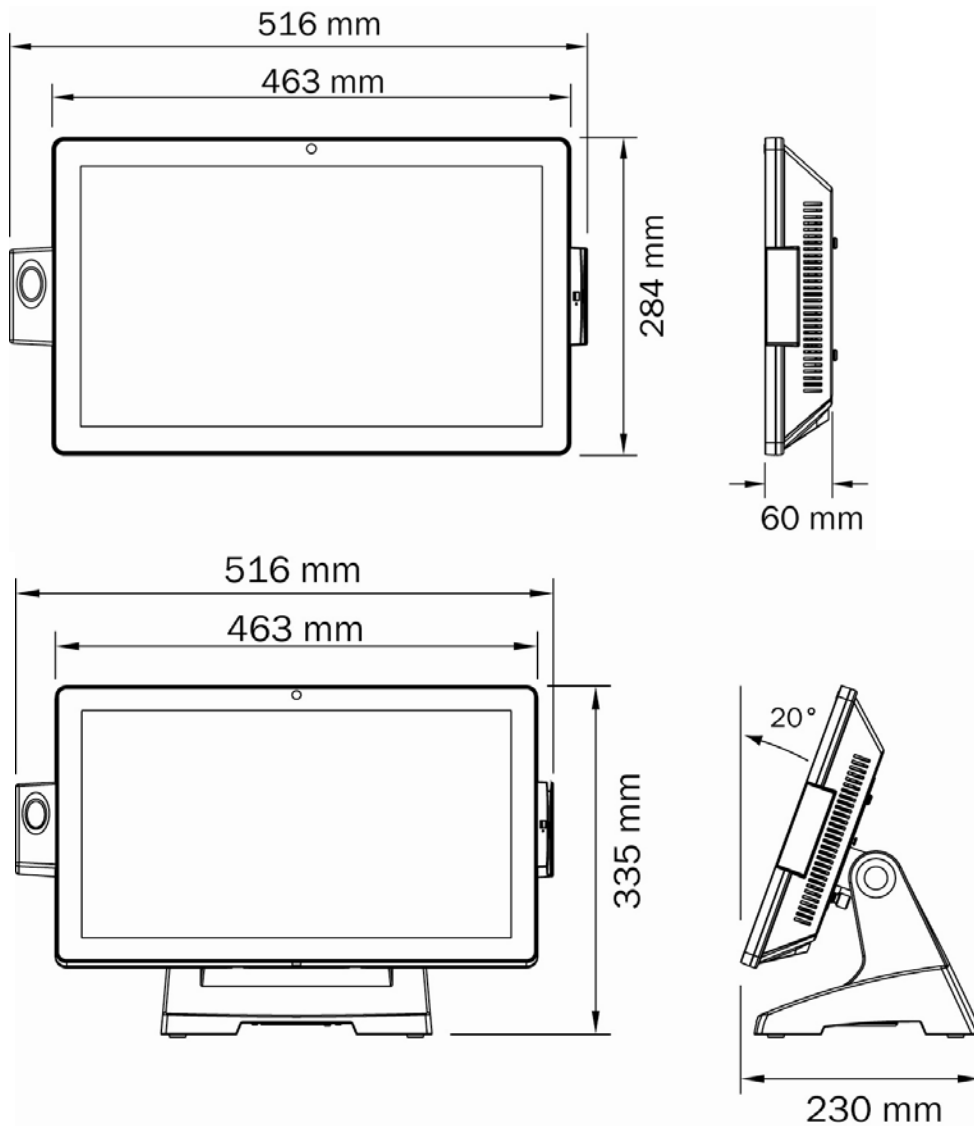
Number	Description
1	Stand VESA plate 100x100mm
2	Ventilation holes
3	HDD door
4	VESA Mount holes (100x100mm)
5	Thumbscrew hole for stand / wall-mount bracket

2-4 Bottom View

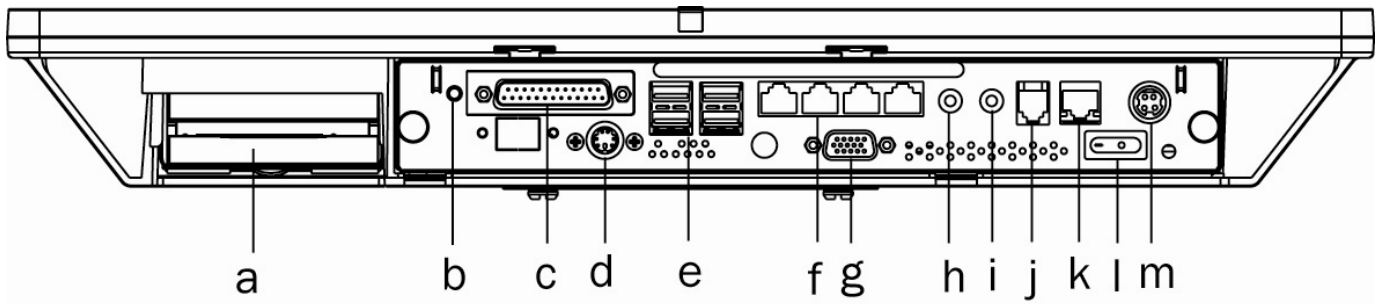


Number	Description
1	Rubber foot
2	Power supply bracket

2-5 Dimension & View Angle



2-6 I/O View (D2550 motherboard)



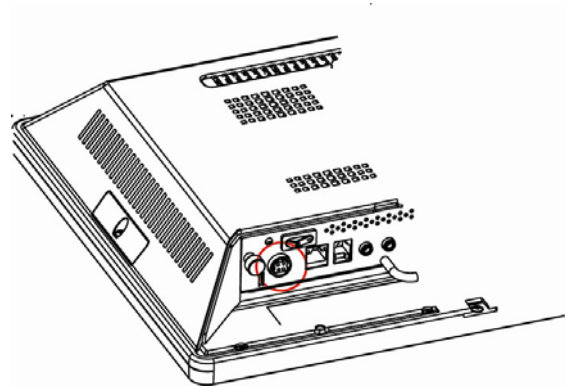
Number	Description
a	HDD bay
b	Power button
c	Parallel port
d	PS/2 port
e	USB port x 4
f	COM port 1, 2, 3, 4 (from left to right)
g	VGA port
h	Line-out
i	Mic-in
j	Cash drawer port
k	LAN port
l	Power switch
m	DC Jack 19V

3 System Assembly & Disassembly

3-1 Install the Power Adapter

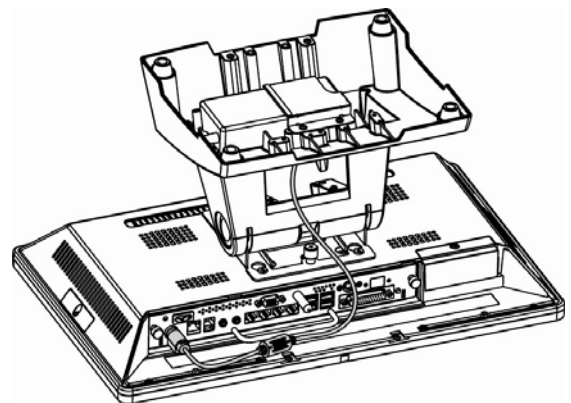
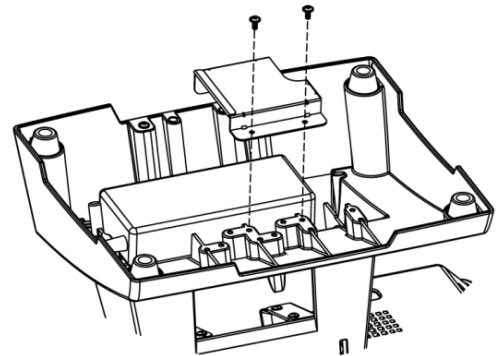
The system is equipped with a 90W power adapter. Please plug it into the Motherboard (19V DC Jack)

1. Find the power connector on the I/O panel.(refer to chapter 2-5 m.) and connect the power adapter directly to the DC-IN connector.



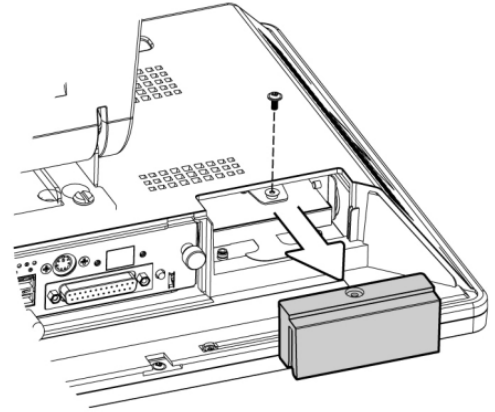
If your system is equipped with a stand, please install the power adapter:

1. Place the system on the flat secure surface and install the power supply as shown in the picture. Fasten the screws (x2) to secure the power supply bracket
2. Route the cable through the stand hole as shown in the picture. Connect the power adapter directly to the DC-IN 19V connector on the motherboard.

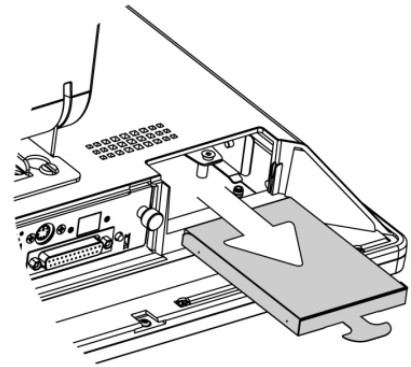


3-2 Replace the HDD

1. Loosen the screw (x1) from the HDD door.



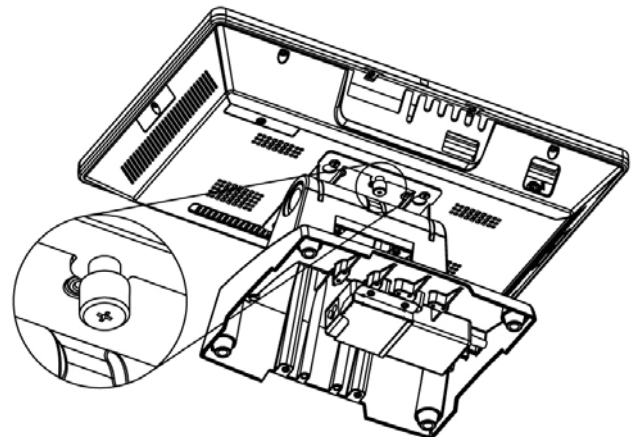
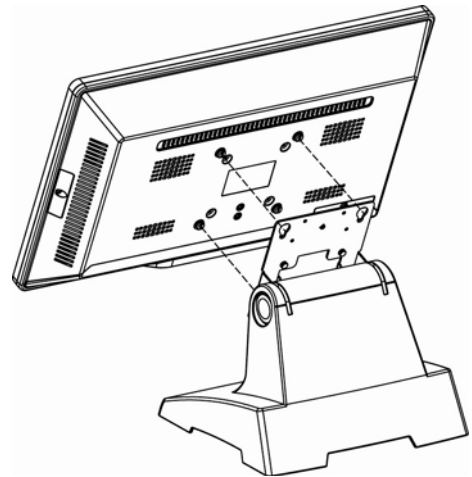
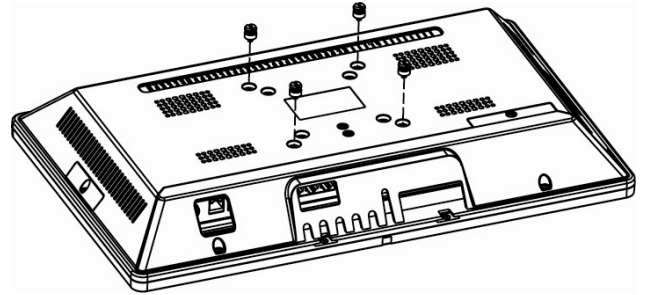
2. Pull the plastic tab (see picture) to remove the HDD.



4 Peripherals Installation

4-1 Install the Stand

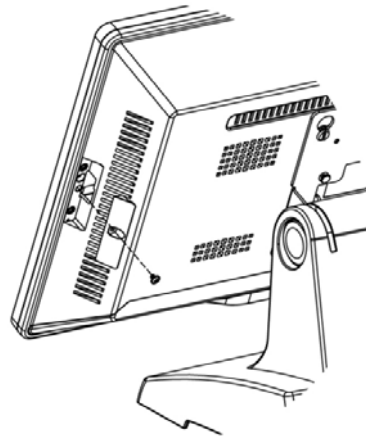
1. Place the system on the flat secure surface. Fasten the screws (x4) to the VESA holes as shown in the picture.
2. Align the mount screws with the stand VESA holes and slide the system down to the lower part of the VESA holes
3. Push and fasten the thumb screw to fix the stand to the system.



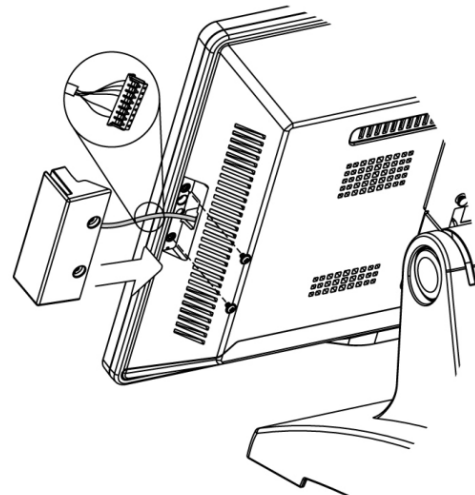
4-2 Install the MSR Module

MSR module can be mounted to either side of the system. Choose one side and follow the steps below. Make sure the unit is powered off before you begin.

1. Remove the screw (x1) to open the dummy cover.

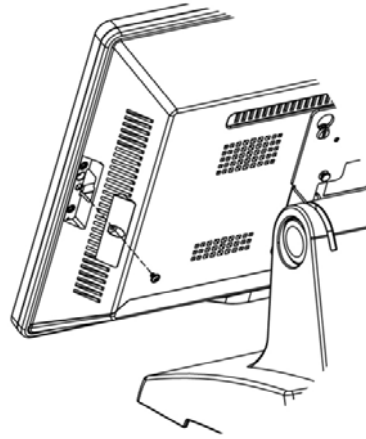


2. Connect the MSR cable (x1) to the connector on the system side.
3. Install the MSR module and fasten the screws (x2)

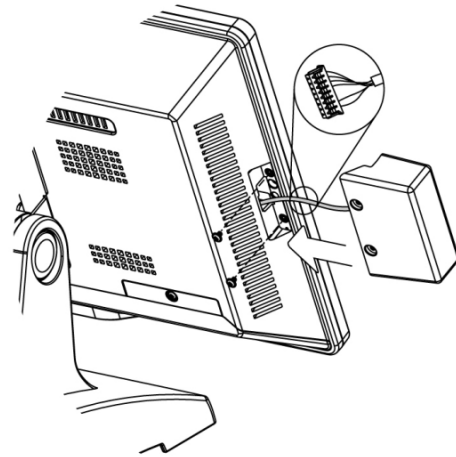


4-3 Install the Fingerprint Reader

1. Remove the screw (x1) to open the dummy cover.

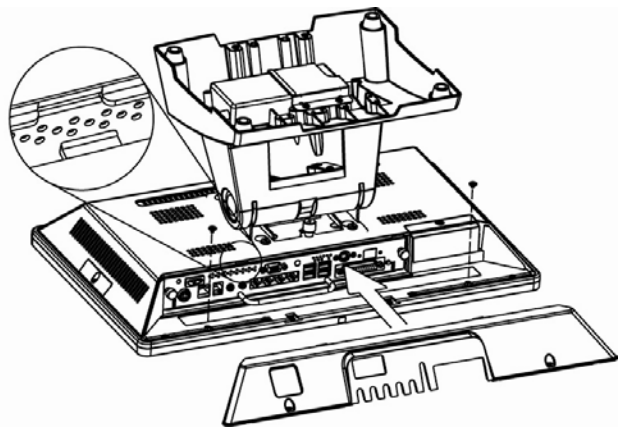


2. Connect the fingerprint cable (x1) to the connector on the system side.
3. Install the fingerprint reader and fasten the screws (x2)



4-4 Install the Cable Manager

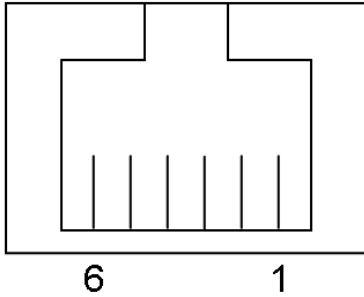
1. Make sure the cable manager snaps in
2. Fasten the screws (x2) to secure the cable manager.



4-5 Install the Cash Drawer

You can install a cash drawer through the cash drawer port. Please verify the pin assignment before installation.

Cash Drawer Pin Assignment



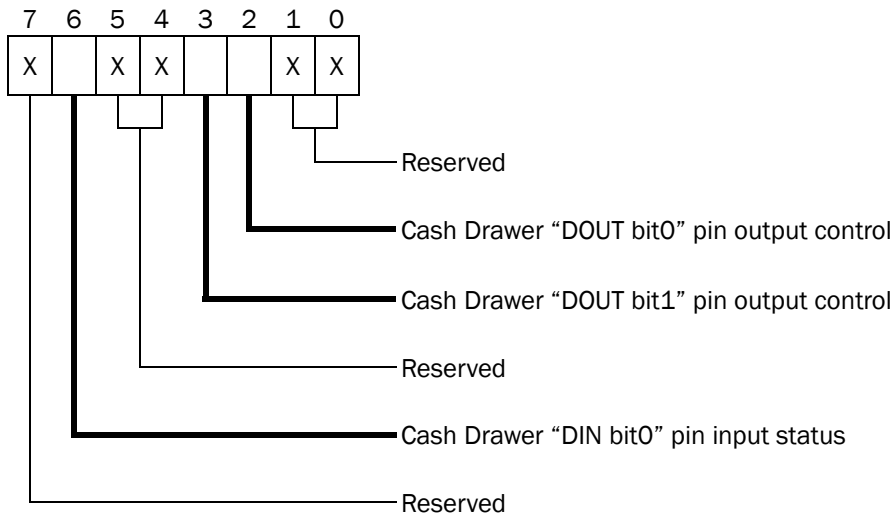
Pin	Signal
1	GND
2	DOUT bit0
3	DIN bit0
4	12V / 19V
5	DOUT bit1
6	GND

Cash Drawer Controller Register

The Cash Drawer Controller use one I/O addresses to control the Cash Drawer.

Register Location: 48Ch
Attribute: Read / Write
Size: 8bit

BIT	BIT7	BIT6	BIT5	BIT4	BIT3	BIT2	BIT1	BIT0
Attribute	Reserved	Read	Reserved	Reserved	Write	Reserved	Reserved	Reserved



- Bit 7: Reserved
- Bit 6: Cash Drawer "DIN bit0" pin input status.
 - = 1: the Cash Drawer closed or no Cash Drawer
 - = 0: the Cash Drawer opened
- Bit 5: Reserved
- Bit 4: Reserved
- Bit 3: Cash Drawer "DOUT bit1" pin output control.
 - = 1: Opening the Cash Drawer
 - = 0: Allow close the Cash Drawer
- Bit 2: Cash Drawer "DOUT bit0" pin output control.
 - = 1: Opening the Cash Drawer
 - = 0: Allow close the Cash Drawer
- Bit 1: Reserved
- Bit 0: Reserved

Note: Please follow the Cash Drawer control signal design to control the Cash Drawer.

Cash Drawer Control Command Example

Use Debug.EXE program under DOS or Windows98

Command	Cash Drawer
O 48C 04	Opening
O 48C 00	Allow to close
<ul style="list-style-type: none"> ➤ Set the I/O address 48Ch bit2 =1 for opening Cash Drawer by "DOUT bit0" pin control. ➤ Set the I/O address 48Ch bit2 = 0 for allow close Cash Drawer. 	

Command	Cash Drawer
I 48C	Check status
<ul style="list-style-type: none"> ➤ The I/O address 48Ch bit6 =1 mean the Cash Drawer is opened or not exist. ➤ The I/O address 48Ch bit6 =0 mean the Cash Drawer is closed. 	

5 Specification

Model Name	Breeze 185 All-in-one	
Motherboard	C58	C78
CPU support	Intel CedarView D2550 processor 1.86 GHz 1M Cache	Celeron 1007U 1.5G, LLC 2M (17W, IA) (default) i3-3217U 1.8G, LLC 3M (17W, EIA)
Chipset	NM10, GMA 3650	Intel HM76 PCH
System memory	SO-DIMM DDR3 x 2, total up to 4GB 1066MHz	2 x DDR3 SO-DIMM up to 16GB, 1333/1600 MHz
Cooling	Fanless	
LCD Touch Panel		
LCD size	18.5" LED LCD	
Brightness	350 nits	
Maximal resolution	1366 x 768	
Touch screen type	True flat resistive touch or True flat projected capacitive touch	
Storage		
HDD	2 HDD bays (HDD or SSD Ready)	
Expansion		
mini PCI-E socket	1	
Rear I/O		
USB3.0	NA	2
USB2.0	4	4
Serial COM	RJ45 x 4 (COM2 5V/0.5A ; COM3/4 set via jumper to +5V or +12V, powered by BIOS)	
LAN (10 /100 / 1000)	1	
2 nd LAN	NA	1 (Option with internal cable and mini PCIE LAN card)
DVI	NA	1 (Option with internal cable, w/o cable cover)
PS/2	1 (with internal cable)	1 (with internal cable, w/o cable cover)
Cash drawer	1x RJ-11 (24V, default setting 24V)	
DC jack	1	
VGA port	1x (w/ +12V power, by BIOS setting)	
Parallel port	1	
Power switch	1	
Line-out	1	

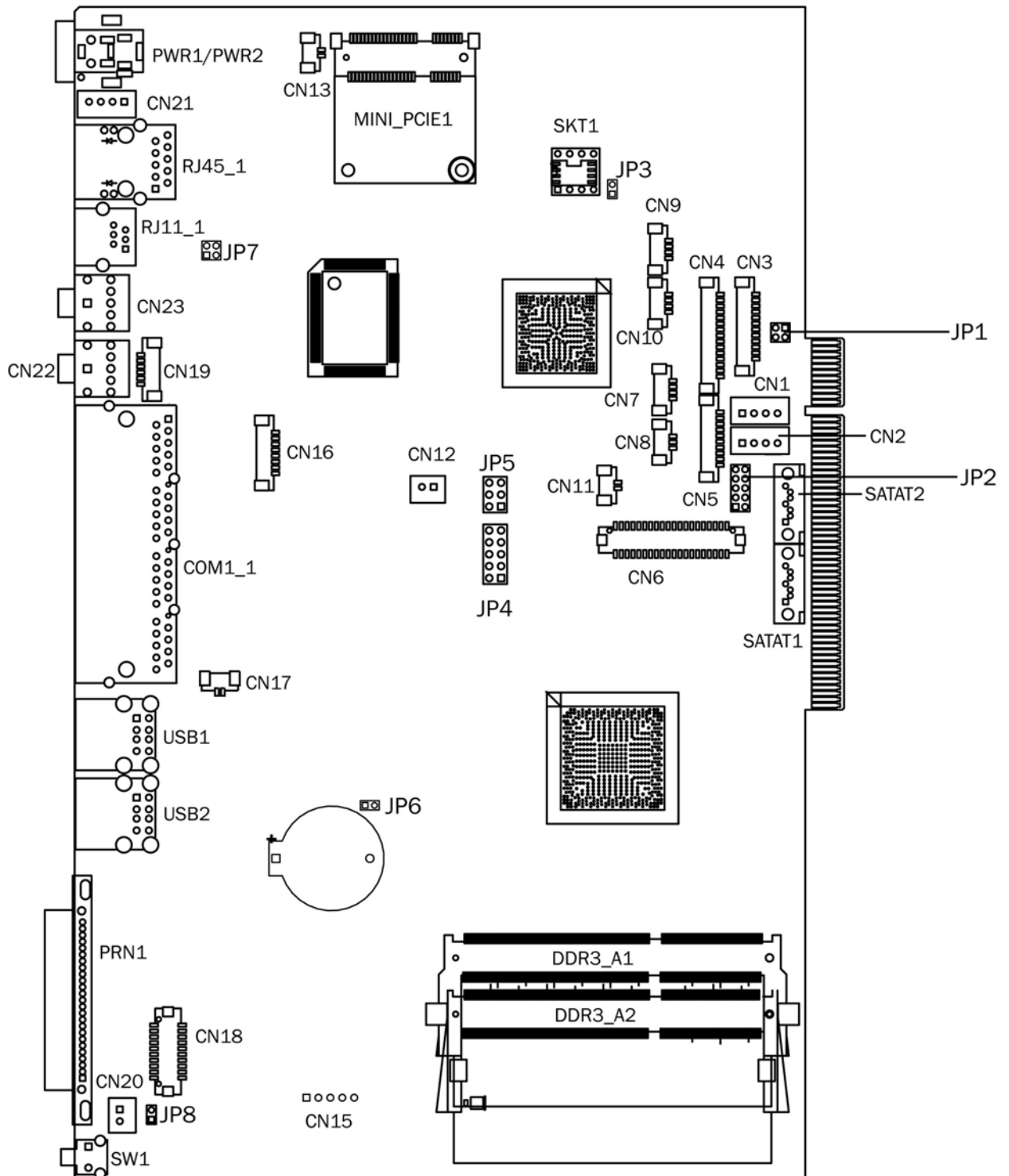
Model Name	Breeze 185 All-in-one	
Motherboard	C58	C78
Mic-in	1	
Indicator		
Power LED	1	
Power		
Power adapter	90W/19V-4pin Lock	
Audio		
Internal speaker	2 x 3W (option)	
Peripherals		
MSR module	Idtech ISO 3-tracks slim MSR (USB interface)	
Fingerprint module	Digital persona fingerprint (USB interface)	
Stand	Leverage Breeze stand	
VESA mounting	100 X 100 mm VESA mounting hole	
Cable management	1	
Certifications		
EMC & Safety	FCC/CE Class A, LVD	
Environment		
Operating temperature	0°C ~ 35 °C (32 °F ~ 95 °F)	
Storage temperature	-20 °C ~ 60 °C (-4 °F ~ 140 °F)	
Humidity	20% ~ 85% RH non condensing	
Dimension (W x D x H)	463 x 60 x 284mm	
Weight (N.W./G.W.)	5.46 kg / 6.46kg	
OS support	POSReady 2009, Windows XP, Windows 7 Pro, POSReady7	Windows XP, POS Ready 2009, XP Embedded, XP professional for Embedded, Linux, Windows 7 (32bit/64bit), POSReady7

* This specification is subject to change without prior notice.

6 Jumper Setting

6-1 C58 Motherboard

6-1-1 Motherboard Layout



6-1-2 Connectors & Functions

Connector	Function
CN1/2	SATA Power CONN
CN3	Inverter Selection
CN4	Card Reader
CN5	COM5 Touch
CN6	LVDS
CN7	PS2 K/B
CN9/10	USB
CN11	STAT LED
CN15	Touch Sensor
CN17	Power LED
CN19	Speaker & MIC-IN
CN20	Power Button
CN22	Power Adaptor CONN
CN22	Line-out
CN23	Mic-in
BAT1	CMOS battery
COM1_1	COM1~4
PRN1	Printer Port
PWR2	Adaptor
RJ11_1	Cash Drawer
RJ45_1	LAN
SATA1/SATA2	SATA CONN
USB1/USB2	USB
JP1	Inverter Selection
JP2	LCD ID Setting
JP4/JP5	CRT
JP7	Cash Drawer Power Setting

6-1-3 Jumper Setting

Inverter Selection

Function	JP1 (1-2)				
CCFL	<table border="1"> <tr><td>1</td><td>3</td></tr> <tr><td>2</td><td>4</td></tr> </table>	1	3	2	4
1	3				
2	4				
▲ LED	<table border="1"> <tr><td>1</td><td>3</td></tr> <tr><td>2</td><td>4</td></tr> </table>	1	3	2	4
1	3				
2	4				

Cash Drawer Power Setting

Function	JP7 (1-2, 3-4)				
+12V	<table border="1"> <tr><td>1</td><td>3</td></tr> <tr><td>2</td><td>4</td></tr> </table>	1	3	2	4
1	3				
2	4				
▲ +19V (for +24V Cash Drawer)	<table border="1"> <tr><td>1</td><td>3</td></tr> <tr><td>2</td><td>4</td></tr> </table>	1	3	2	4
1	3				
2	4				

LCD ID Setting

Panel #	Resolution	LVDS		Output Interface	JP2 (1-2) (3-4) (5-6) (7-8)(9-10)										
		Bits	Channel												
1	800 x 600	18	Single	LVDS	<table border="1"> <tr><td>1</td><td>3</td><td>5</td><td>7</td><td>9</td></tr> <tr><td>2</td><td>4</td><td>6</td><td>8</td><td>10</td></tr> </table>	1	3	5	7	9	2	4	6	8	10
1	3	5	7	9											
2	4	6	8	10											
2	800 x 600	18	Single	LVDS	<table border="1"> <tr><td>1</td><td>3</td><td>5</td><td>7</td><td>9</td></tr> <tr><td>2</td><td>4</td><td>6</td><td>8</td><td>10</td></tr> </table>	1	3	5	7	9	2	4	6	8	10
1	3	5	7	9											
2	4	6	8	10											
3	800 x 600	24	Single	LVDS	<table border="1"> <tr><td>1</td><td>3</td><td>5</td><td>7</td><td>9</td></tr> <tr><td>2</td><td>4</td><td>6</td><td>8</td><td>10</td></tr> </table>	1	3	5	7	9	2	4	6	8	10
1	3	5	7	9											
2	4	6	8	10											
6	800 x 600	24	Single	LVDS	<table border="1"> <tr><td>1</td><td>3</td><td>5</td><td>7</td><td>9</td></tr> <tr><td>2</td><td>4</td><td>6</td><td>8</td><td>10</td></tr> </table>	1	3	5	7	9	2	4	6	8	10
1	3	5	7	9											
2	4	6	8	10											
4	1024 x 600	18	Single	LVDS	<table border="1"> <tr><td>1</td><td>3</td><td>5</td><td>7</td><td>9</td></tr> <tr><td>2</td><td>4</td><td>6</td><td>8</td><td>10</td></tr> </table>	1	3	5	7	9	2	4	6	8	10
1	3	5	7	9											
2	4	6	8	10											
5	1024 x 768	18	Single	LVDS	<table border="1"> <tr><td>1</td><td>3</td><td>5</td><td>7</td><td>9</td></tr> <tr><td>2</td><td>4</td><td>6</td><td>8</td><td>10</td></tr> </table>	1	3	5	7	9	2	4	6	8	10
1	3	5	7	9											
2	4	6	8	10											

7	1024 x 768	24	Single	LVDS	<table border="0"> <tr><td>1</td><td>3</td><td>5</td><td>7</td><td>9</td></tr> <tr><td>2</td><td>4</td><td>6</td><td>8</td><td>10</td></tr> </table>	1	3	5	7	9	2	4	6	8	10
1	3	5	7	9											
2	4	6	8	10											
9	1280 x 1024	24	Dual	LVDS	<table border="0"> <tr><td>1</td><td>3</td><td>5</td><td>7</td><td>9</td></tr> <tr><td>2</td><td>4</td><td>6</td><td>8</td><td>10</td></tr> </table>	1	3	5	7	9	2	4	6	8	10
1	3	5	7	9											
2	4	6	8	10											
10	1366 x 768	18	Single	LVDS	<table border="0"> <tr><td>1</td><td>3</td><td>5</td><td>7</td><td>9</td></tr> <tr><td>2</td><td>4</td><td>6</td><td>8</td><td>10</td></tr> </table>	1	3	5	7	9	2	4	6	8	10
1	3	5	7	9											
2	4	6	8	10											
11	1366 x 768	24	Single	LVDS	<table border="0"> <tr><td>1</td><td>3</td><td>5</td><td>7</td><td>9</td></tr> <tr><td>2</td><td>4</td><td>6</td><td>8</td><td>10</td></tr> </table>	1	3	5	7	9	2	4	6	8	10
1	3	5	7	9											
2	4	6	8	10											
13	1440 x 900	24	Dual	LVDS	<table border="0"> <tr><td>1</td><td>3</td><td>5</td><td>7</td><td>9</td></tr> <tr><td>2</td><td>4</td><td>6</td><td>8</td><td>10</td></tr> </table>	1	3	5	7	9	2	4	6	8	10
1	3	5	7	9											
2	4	6	8	10											
15	1920 x 1080	24	Dual	LVDS	<table border="0"> <tr><td>1</td><td>3</td><td>5</td><td>7</td><td>9</td></tr> <tr><td>2</td><td>4</td><td>6</td><td>8</td><td>10</td></tr> </table>	1	3	5	7	9	2	4	6	8	10
1	3	5	7	9											
2	4	6	8	10											
				CRT	<table border="0"> <tr><td>1</td><td>3</td><td>5</td><td>7</td><td>9</td></tr> <tr><td>2</td><td>4</td><td>6</td><td>8</td><td>10</td></tr> </table>	1	3	5	7	9	2	4	6	8	10
1	3	5	7	9											
2	4	6	8	10											

▲ = Manufacturer Default Setting



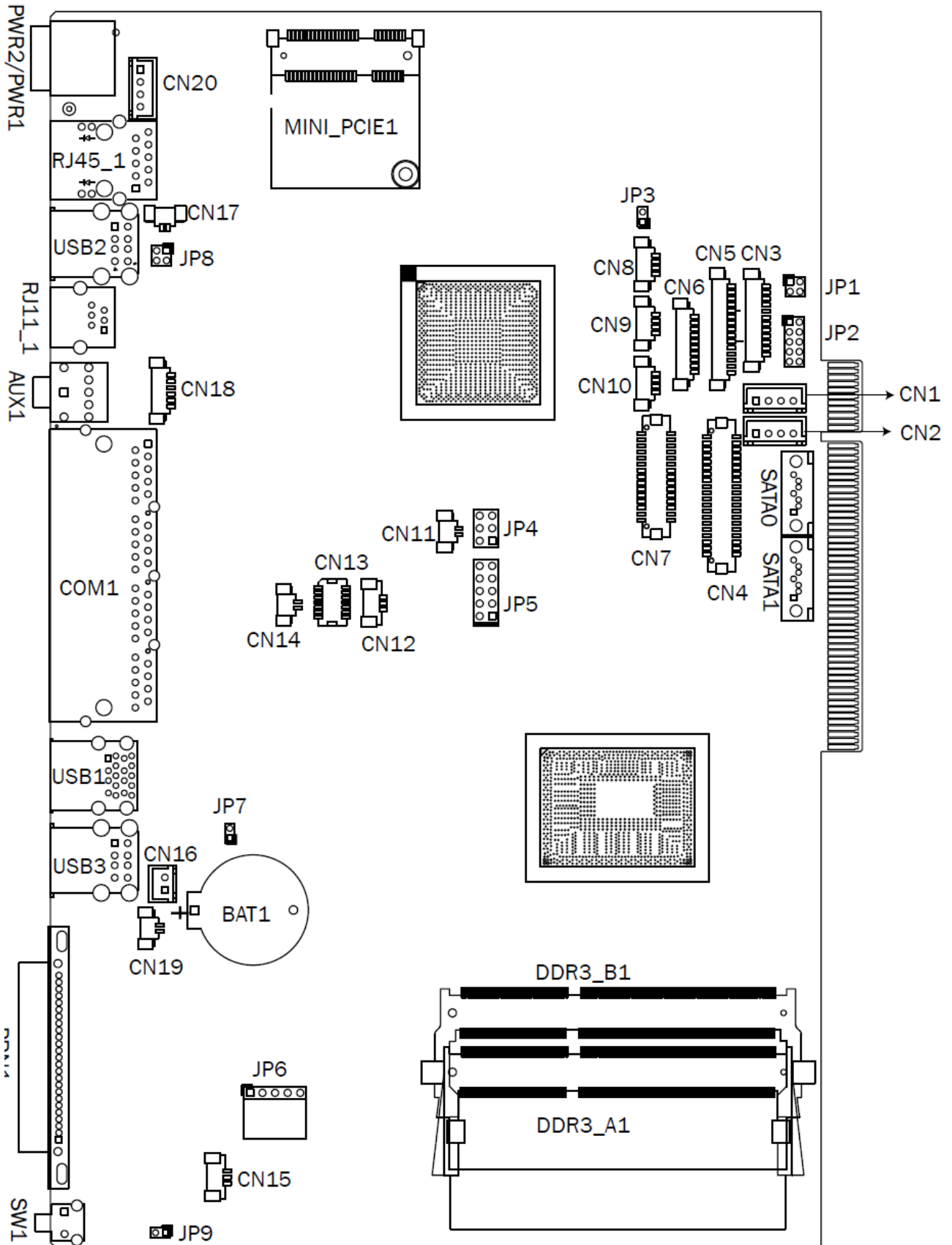
OPEN



SHORT

6-2 C78 Motherboard

6-2-1 Motherboard Layout



6-2-2 Connectors & Functions

Connector	Function
CN1/2	SATA Power Connector
CN3	Inverter
CN4	LVDS
CN5	MSR Connector
CN7	DVI Connector
CN8/9	USB Connector
CN10	USB
CN10	PS2 Keyboard
CN11	HDD LED
CN16	Power On Connector
CN17	LAN LED
CN18	Speaker & MIC Connector
CN19	Power LED
CN20	Power Adaptor Connector
BAT1	CMOS battery
COM1_1	COM1~4
PRN1	Printer Port
PWR2	DC Jack
RJ11_1	Cash Drawer Port
RJ45_1	LAN
SATA0/SATA1	SATA CONN
USB1	USB3.0
USB2/USB3	USB2.0
JP1	Inverter Selection
JP2	LCD ID Setting
JP4/5	CRT Connector
JP6	Touch Connector
JP8	Cash Drawer Power Setting

6-2-3 Jumper Setting

Inverter Selection

Function	JP1 (1-2)				
CCFL	<table border="1"> <tr><td>1</td><td>3</td></tr> <tr><td>2</td><td>4</td></tr> </table>	1	3	2	4
1	3				
2	4				
▲ LED	<table border="1"> <tr><td>1</td><td>3</td></tr> <tr><td>2</td><td>4</td></tr> </table>	1	3	2	4
1	3				
2	4				

Cash Drawer Power Setting

Function	JP8 (1-2, 3-4)				
+12V	<table border="1"> <tr><td>1</td><td>3</td></tr> <tr><td>2</td><td>4</td></tr> </table>	1	3	2	4
1	3				
2	4				
▲ +19V (for +24V Cash Drawer)	<table border="1"> <tr><td>1</td><td>3</td></tr> <tr><td>2</td><td>4</td></tr> </table>	1	3	2	4
1	3				
2	4				

LCD ID Setting

Panel #	Resolution	LVDS		Output Interface	JP2 (1-2) (3-4) (5-6) (7-8)(9-10)										
		Bits	Channel												
1	800 x 600	18	Single	LVDS	<table border="1"> <tr><td>1</td><td>3</td><td>5</td><td>7</td><td>9</td></tr> <tr><td>2</td><td>4</td><td>6</td><td>8</td><td>10</td></tr> </table>	1	3	5	7	9	2	4	6	8	10
1	3	5	7	9											
2	4	6	8	10											
2	800 x 600	24	Single	LVDS	<table border="1"> <tr><td>1</td><td>3</td><td>5</td><td>7</td><td>9</td></tr> <tr><td>2</td><td>4</td><td>6</td><td>8</td><td>10</td></tr> </table>	1	3	5	7	9	2	4	6	8	10
1	3	5	7	9											
2	4	6	8	10											
3	1024 x 768	18	Single	LVDS	<table border="1"> <tr><td>1</td><td>3</td><td>5</td><td>7</td><td>9</td></tr> <tr><td>2</td><td>4</td><td>6</td><td>8</td><td>10</td></tr> </table>	1	3	5	7	9	2	4	6	8	10
1	3	5	7	9											
2	4	6	8	10											
4	1024 x 768	24	Single	LVDS	<table border="1"> <tr><td>1</td><td>3</td><td>5</td><td>7</td><td>9</td></tr> <tr><td>2</td><td>4</td><td>6</td><td>8</td><td>10</td></tr> </table>	1	3	5	7	9	2	4	6	8	10
1	3	5	7	9											
2	4	6	8	10											
5	1366 x 768	18	Single	LVDS	<table border="1"> <tr><td>1</td><td>3</td><td>5</td><td>7</td><td>9</td></tr> <tr><td>2</td><td>4</td><td>6</td><td>8</td><td>10</td></tr> </table>	1	3	5	7	9	2	4	6	8	10
1	3	5	7	9											
2	4	6	8	10											

6	1366 x 768	24	Single	LVDS	<table border="1"> <tr> <td>1</td> <td>3</td> <td>5</td> <td>7</td> <td>9</td> </tr> <tr> <td>2</td> <td>4</td> <td>6</td> <td>8</td> <td>10</td> </tr> </table>	1	3	5	7	9	2	4	6	8	10
1	3	5	7	9											
2	4	6	8	10											
7	1024 x 600	18	Single	LVDS	<table border="1"> <tr> <td>1</td> <td>3</td> <td>5</td> <td>7</td> <td>9</td> </tr> <tr> <td>2</td> <td>4</td> <td>6</td> <td>8</td> <td>10</td> </tr> </table>	1	3	5	7	9	2	4	6	8	10
1	3	5	7	9											
2	4	6	8	10											
8	1280 x 1024	24	Dual	LVDS	<table border="1"> <tr> <td>1</td> <td>3</td> <td>5</td> <td>7</td> <td>9</td> </tr> <tr> <td>2</td> <td>4</td> <td>6</td> <td>8</td> <td>10</td> </tr> </table>	1	3	5	7	9	2	4	6	8	10
1	3	5	7	9											
2	4	6	8	10											
9	1440 x 9008	24	Dual	LVDS	<table border="1"> <tr> <td>1</td> <td>3</td> <td>5</td> <td>7</td> <td>9</td> </tr> <tr> <td>2</td> <td>4</td> <td>6</td> <td>8</td> <td>10</td> </tr> </table>	1	3	5	7	9	2	4	6	8	10
1	3	5	7	9											
2	4	6	8	10											
15	1920 x 1080	24	Dual	LVDS	<table border="1"> <tr> <td>1</td> <td>3</td> <td>5</td> <td>7</td> <td>9</td> </tr> <tr> <td>2</td> <td>4</td> <td>6</td> <td>8</td> <td>10</td> </tr> </table>	1	3	5	7	9	2	4	6	8	10
1	3	5	7	9											
2	4	6	8	10											
				CRT	<table border="1"> <tr> <td>1</td> <td>3</td> <td>5</td> <td>7</td> <td>9</td> </tr> <tr> <td>2</td> <td>4</td> <td>6</td> <td>8</td> <td>10</td> </tr> </table>	1	3	5	7	9	2	4	6	8	10
1	3	5	7	9											
2	4	6	8	10											

▲ = Manufacturer Default Setting



OPEN



SHORT

Appendix: Driver Installation

The shipping package includes a Driver CD in which you can find every individual driver and utility that enables you to install the drivers on the system. Please insert the Driver CD into the drive and double click on the “index.htm” to select the models. You can refer to the drivers installation guide for each driver in the “Driver/Manual List”.