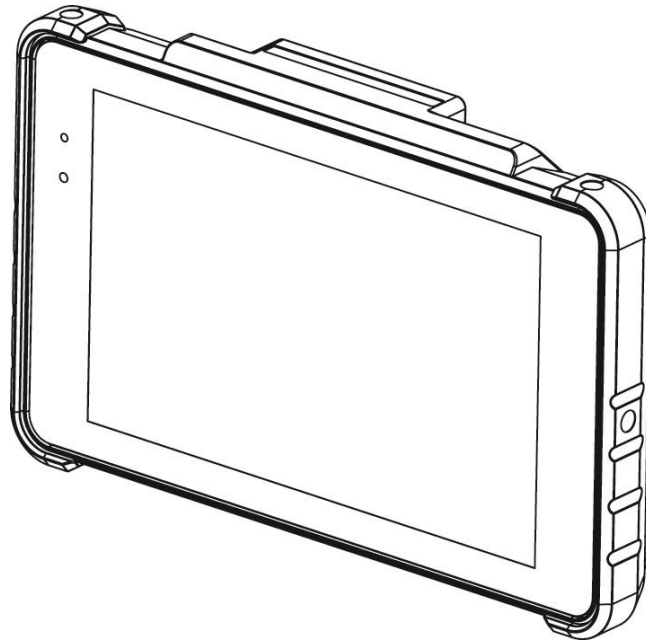


# User Manual

Version 1.1 July 2015

## Quest Tablet



# Copyright

Copyright 2011  
All Rights Reserved  
Manual Version 1.0

The information contained in this document is subject to change without notice. We make no warranty of any kind with regard to this material, including, but not limited to, the implied warranties of merchantability and fitness for a particular purpose. We shall not be liable for errors contained herein or for incidental or consequential damages in connection with the furnishing, performance, or use of this material.

This document contains proprietary information that is protected by copyright. All rights are reserved. No part of this document may be photocopied, reproduced or translated to another language without the prior written consent of the manufacturer.

# TRADEMARK

The material in this manual is subject to change without notice. Bluetooth is a registered trademark of Bluetooth SIG. Microsoft®, Windows® and ActiveSync® are either registered trademarks or trademarks of Microsoft Corporation. All other product or service names are the property of their respective owners.

# Safety

## **Regulatory Information**

Caution: Only use approved and UL Listed accessories, battery packs and battery chargers. Do NOT attempt to charge damp/wet mobile computers or batteries. All components must be dry before connecting to an external power source.

## **Power Supply**

Use only the approved power supply 50-14000-148 output rated 5 Vdc and minimum 2 A. The power supply is certified to EN60950-1 with SELV outputs. Use of alternative power supply will invalidate any approval given to this device and may be dangerous.

## **Warning for Use of Wireless Devices**

Please observe all warning notices with regard to the usage of wireless devices.

## **Potentially Hazardous Atmospheres**

You are reminded of the need to observe restrictions on the use of radio devices in fuel depots, chemical plants etc. and areas where the air contains chemicals or particles (such as grain, dust, or metal powders) and any other area where you would normally be advised to turn off your vehicle engine.

## **Safety in Aircraft**

Switch off your wireless device whenever you are instructed to do so by airport or airline staff.

## **Pacemakers**

Pacemaker manufacturers recommended that a minimum of 15cm (6 inches) be maintained between a handheld wireless device and a pacemaker to avoid potential interference with the pacemaker. These recommendations are consistent with independent research and recommendations by Wireless Technology Research.

## **Persons with Pacemakers**

Persons with Pacemakers should ALWAYS keep the device more than 15cm (6 inches) from their pacemaker when turned ON and hence they should not carry the device in a breast pocket .

Should use the ear furthest from the pacemaker to minimize the potential for interference.

If you have any reason to suspect that interference is taking place, turn OFF your device.

**Hearing Aids**

The wireless device may interfere with some hearing aids. In the event of interference you may want to consult your hearing aid supplier to discuss solutions.

**Other Medical Devices**

Please consult your physician or the manufacturer of the medical device, to determine if the operation of your wireless product may interfere with the medical device.

## **FCC/EU RF Exposure Guidelines**

**Safety Information**

This device complies with internationally recognized standards covering Specific Absorption Rate (SAR) related to human exposure to electromagnetic fields from radio devices.

**Reducing RF Influence - Use Properly**

It is advisable to use the device only in the normal operating position.

**Handheld Devices**

This device was tested for typical body-worn operation. Use only tested and approved belt-holsters, hand strap and similar accessories to ensure FCC Compliance. The use of third-party belt-clips, holsters, and similar accessories may not comply with FCC RF exposure compliance requirements, and should be avoided.

To comply with FCC RF exposure requirements, this device must be operated in the hand with a minimum separation distance of 2.5 cm or more from a person's body. Other operating configurations should be avoided.

**Radio Frequency Interference Requirements - FCC**

This device complies with Part 15 of the FCC Rules. Operation is subject to the following two conditions: (1) this device may not cause harmful interference, and (2) this device must accept any interference received, including interference that may cause undesired operation.

# CE Marking and European Economic Area

The use of 2.4GHz WLAN's, for use through the EEA, have the following restrictions:

- Maximum radiated transmit power of 100 mW EIRP in the frequency range 2.400 -2.4835 GHz
- France, outside usage is restricted to 2.4 - 2.454 GHz.
- Italy requires a user license for outside usage.

Bluetooth® Wireless Technology for use through the EEA has the following restrictions:

- Maximum radiated transmit power of 100mW EIRP in the frequency range 2.400 -2.4835 GHz
- France, outside usage is restricted to 10mW EIRP
- Italy requires a user license for outside usage.

## Battery Information

Our rechargeable battery packs are designed and constructed to the highest standards within the industry.

However, there are limitations to how long a battery can operate or be stored before needing replacement.

Many factors affect the actual life cycle of a battery pack, such as heat, cold, harsh environmental conditions and severe drops.

When batteries are stored over six (6) months, some irreversible deterioration in overall battery quality may occur. Store batteries discharged in a dry, cool place, removed from the equipment to prevent loss of capacity, rusting of metallic parts and electrolyte leakage. When storing batteries for one year or longer, they should be charged and discharged at least once a year. If an electrolyte leakage is observed, avoid any contact with affected area and properly dispose of the battery. Batteries must be charged within the 32° to 95° F (0° to +35° C) ambient temperature range.

Replace the battery when a significant loss of run time is detected.



## Battery Caution

Risk of explosion if battery is replaced by an incorrectly type.

Dispose of used battery according to the local disposal instructions.



## Waste Electrical and Electronic Equipment (WEEE)

English: For EU Customers: All products at the end of their life must be returned to the reseller for recycling.

## Notational Conventions

The following conventions are used in this document:

- Italics are used to highlight specific items in the general text, and to identify chapters and sections in this and related documents.
- bullets (•) indicate:
  - action items
  - lists of alternatives
  - lists of required steps that are not necessarily sequential
  - Sequential lists (e.g., those that describe step-by-step procedures) appear as numbered lists.

**NOTE** This symbol indicates something of special interest or importance to the reader. Failure to read the note will not result in physical harm to the reader, equipment or data.

**CAUTION** This symbol indicates that if this information is ignored, the possibility of data or material damage may occur.

**WARNING!** This symbol indicates that if this information is ignored the possibility that serious personal injury may occur.

# Revision History

Version	Date	Description
1.0	November 2014	Initial release

# Table of Contents

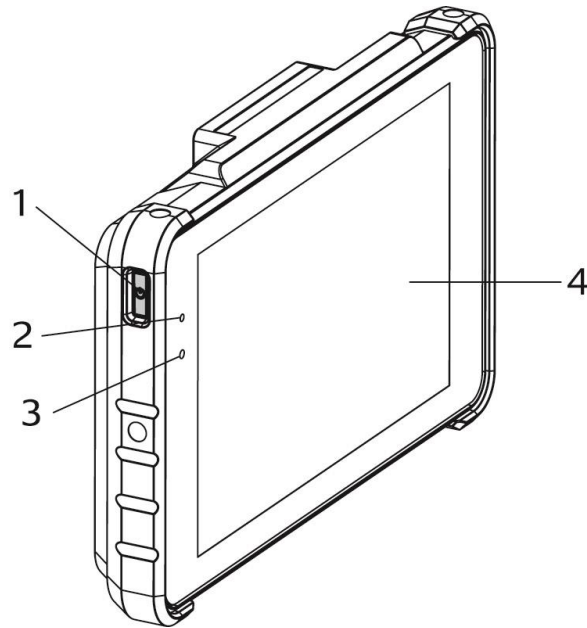
<b>1</b>	<b>Introduction.....</b>	<b>9</b>
1-1	System Overview .....	9
1-1-1	Front View .....	9
1-1-2	Rear View .....	10
1-2	Specification.....	11
<b>2</b>	<b>Getting Started .....</b>	<b>13</b>
2-1	Power On/Off the System .....	13
2-2	Replacing the Battery.....	14
2-3	Using the Charging Cradle .....	15
2-4	Replacing a Micro SD Card .....	16
2-5	Mass Storage Device connection.....	<b>Error! Bookmark not defined.</b>
2-6	Using the Charging Cradle .....	<b>Error! Bookmark not defined.</b>



# 1 Introduction

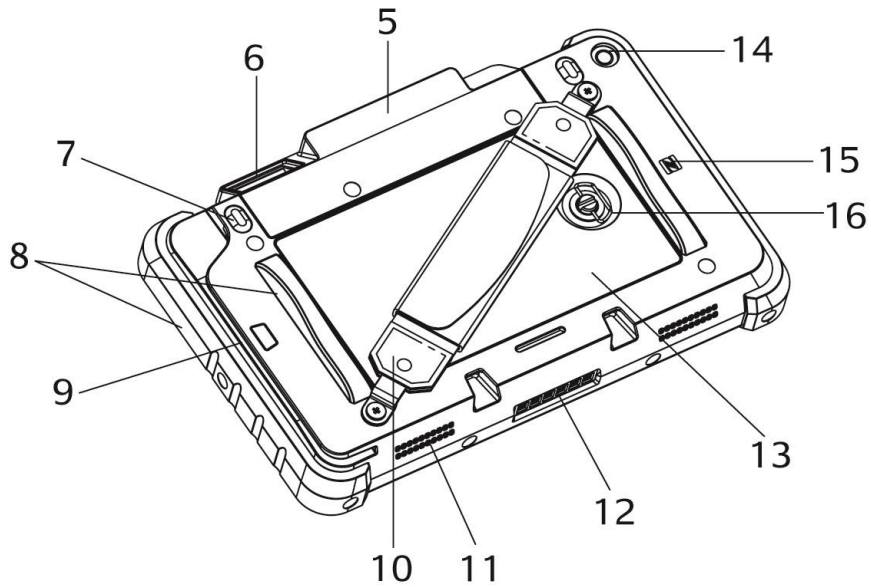
## 1-1 System Overview

### 1-1-1 Front View



No.	Description
1	Power button
2	Power LED light indicator
3	Ambient light sensor
4	LCD

## 1-1-2 Rear View



No.	Description
5	EMV Smart card reader (optional)
6	Scanner (optional)
7	Programmable button(default scan button)
8	Protection bumper
9	MSR
10	Hand strap
11	Speaker
12	Power charging connector
13	Battery cover
14	Camera
15	NFC logo
16	Pen screw

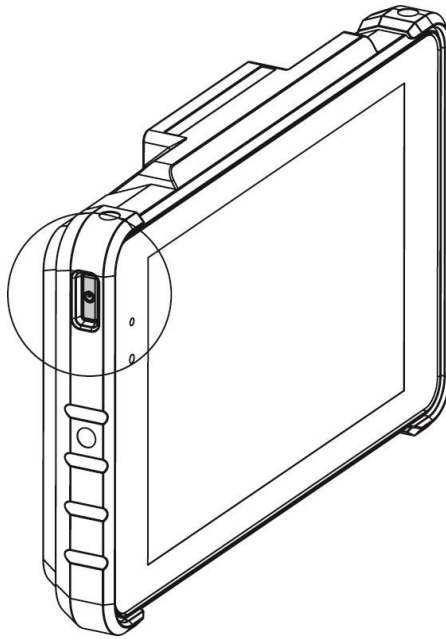
## 1-2 Specification

System	Quest	
<b>Motherboard</b>	<b>D31</b>	
CPU	BayTrail-T Z3745 (up to 1.86Ghz)	
System Memory	2GB LPDDR3 / 4GB LPDDR3 (special order)	
Flash Memory	32G eMMC	
<b>LCD Touch Panel</b>		
LCD Size	7"	10"
Resolution	1280 x 800 (can be scaled down up to 800x600)	1920 x 1200 (can be scaled down up to 800x600)
Touch Screen	P-CAP 5 points Multi-touch	
<b>Wireless Networking</b>		
Wireless LAN	802.11 a/b/g/n, 2.4G/5GHz	
Single SSID	Yes	
Fast Wi-Fi roaming ( Max:2 sec )	Yes	
Always on Wi-Fi	Yes	
No popup of neighbor networks selectable by end users	Yes	
Bluetooth	4.0+LE, Class 2	
NFC	1	
<b>Expansion I/O Ports</b>		
Micro SD Slot	1 (under the battery)	
DC input	6 pin pad	
<b>Audio</b>		
Speaker	1 x 1W Speaker	
<b>Control / Indicator</b>		
Power Button	1	
Sensor	G-sensor, Ambient Light Sensor	
Vibrator	Built-in vibrator motor for touch feedback	
LED Indicator	1 (Battery status indicator) *1	
<b>Application Security &amp; Protection</b>		
Configurations Protected	Yes	
Application Environment Protected	Yes	
Prohibit Program Installation	Yes	
<b>Data Security</b>		
Prohibit File Manager	Yes	
Prohibit Direct File & Database Access	Yes	
Prohibit File Copy	Yes	

<b>System</b>		<b>Quest</b>	
<b>Motherboard</b>		<b>D31</b>	
Prohibit Data Access via ActiveSync		Yes	
<b>Peripheral</b>			
Camera		5MP ( Rear)	
MSR		3-Track USB MSR with Encrypted options available	
Hand strap		1	
EMV card reader		Optional	
Scanner		1D/2D Barcode Scanner (Optional)	
<b>Cradle</b>			
USB Port		micro-USB 2.0 x 1	
Power Adapter		10W / 5V	
<b>Battery &amp; Power</b>			
Battery		8000 mAh, 3.7V, 29.6 Wh *3	
<b>Certificate</b>			
EMC & Safety		FCC Class B / CE Mark / UL	
ESD		Tablet: 8 kV Contact discharge, 15 kV Airdischarge Cradle: 8 kV Contact discharge, 15 kV Airdischarge Docking station: 8 kV Contact discharge, 15 kV Airdischarge	
<b>Environment</b>			
Sealing		IP54 (display side)	
Fall Security		4ft drop	
Operating Temperature (Not in charging mode)		0°C ~ 40°C (32°F ~104 °F)	
Operating Temperature (running charging mode)		0°C ~ 35°C (32 °F ~ +95 °F)	
Storage Temperature		-10°C ~ 45°C (14°F ~ 114°F)	
Operating Humidity		20% - 80% RH non-condensing	
Storage Humidity		20% - 80% RH non-condensing	
<b>Size</b>			
Dimensions		Quest7: 8.0"x5.0"x1.3"	Quest10: 0.6"x6.9"x1.4"
Weight		Quest7: 1.47lbs	Quest10: 2.1lbs
Weight (with all peripherals)		Max 690g (1.52lbs)	
<b>OS Support (32bit only)</b>		Windows 8.1 with Bing, Windows 8.1 Embedded Industry Pro, Windows 8.1 Pro	

## 2 Getting Started

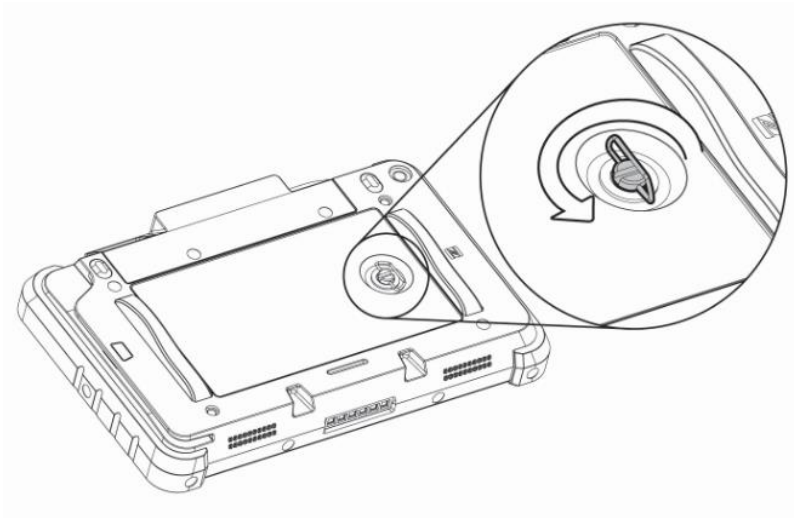
### 2-1 Power On/Off the System



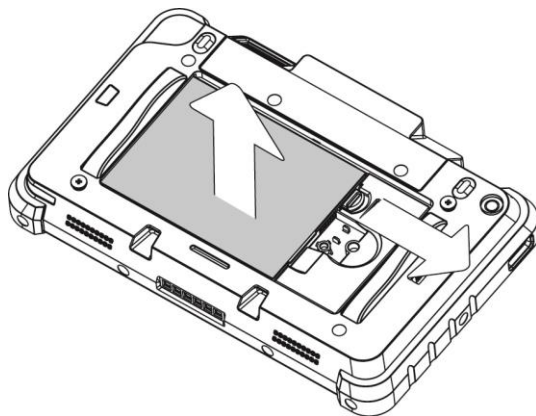
1. Push the power button to turn on the system and hold 4~5 seconds to turn off the system.

Note: For best touch performance, remove the protective plastic overlay from the LCD screen by peeling it away from one of the corners. Be sure to use a soft pointing device or finger tip to avoid scratching the screen during normal use.

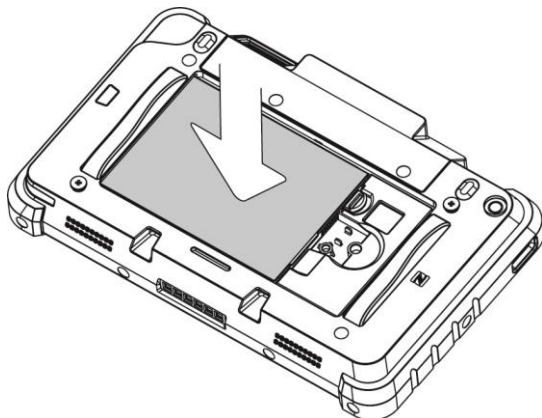
## 2-2 Replacing the Battery



1. Loosen the pen screw counter-clockwise on the battery cover. Remove the battery cover

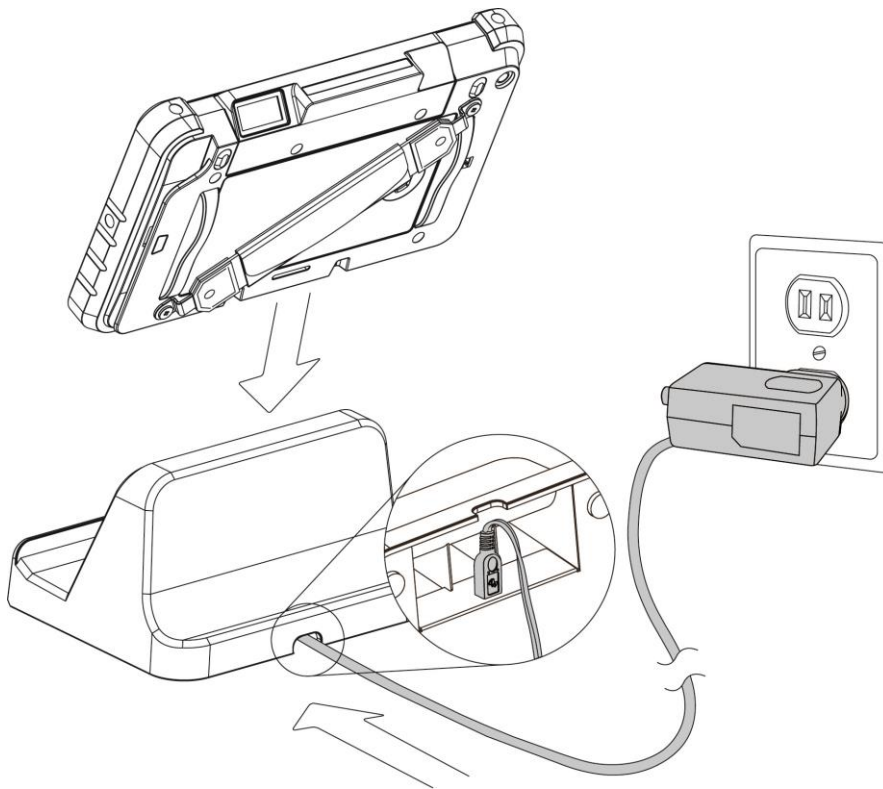


2. Pull the plastic tab and gently remove the battery out of the tablet.



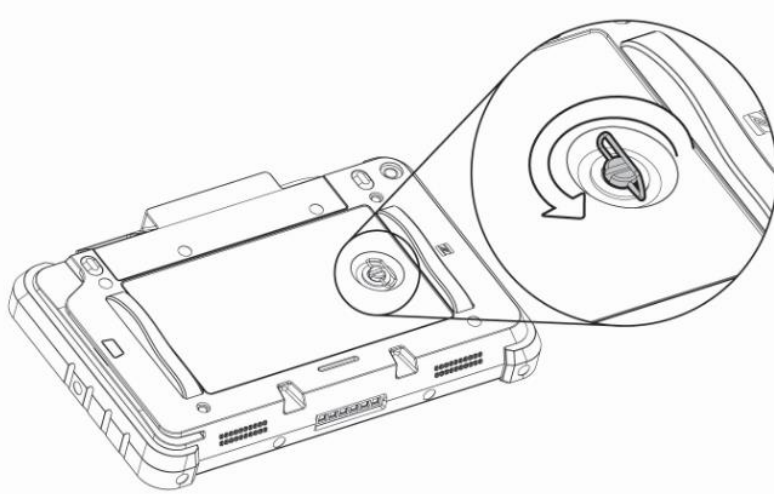
3. To install the battery put the battery into the battery slot and push until the battery clicks into the place.

## 2-3 Using the Charging Cradle

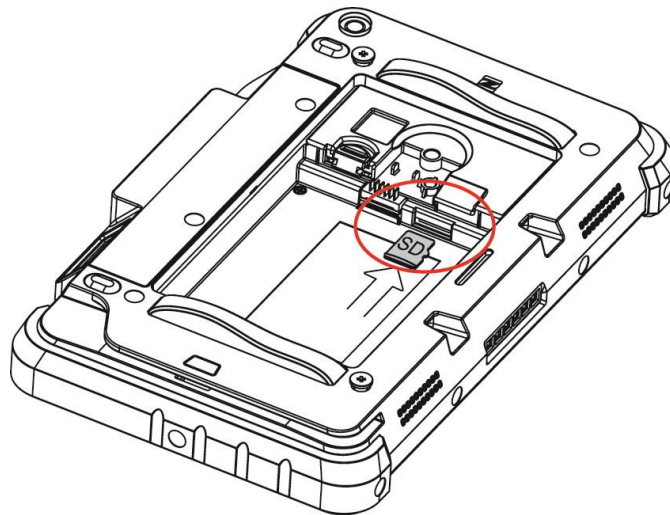


1. Connect the power adapter supplied with the cradle to the connector on the bottom of the cradle charger. Put the tablet on the charging cradle.

## 2-4 Replacing a Micro SD Card



1. Loosen the pen screw counter-clockwise on the battery cover and remove the battery cover. Remove the battery



2. To install a Micro SD card insert the Micro SD card into the SD card slot until it snaps in place.
3. To remove the Micro SD card just push the card again and slide it outwards.



## **2-5 Mass storage device connection**

1. To transfer the files to the tablet from the mass storage devices (USB HDD, USB thumb drive) you can use cradle and the micro USB to USB-A female cable. Simply plug the cable into the charging dock and connect the mass storage device to the USB-A connector.