

DigiVue Mini PC



Product Overview

Transform your business with the cutting edge DigiVue Mini. Experience the perfect blend of compact design and powerful performance. This solution will enable your digital signage, kiosks and touchscreen solutions to be scalable platforms. The DigiVue Mini supports Windows 10 IoT, Windows 11, Android 13 and Linux. Expand storage with an additional NVMe SSD slot. Stay connected wirelessly with a choice of two types of WiFi antenna installations. Multiple video ports allow you to connect up to three displays for stunning 4K clarity. Discover digital transformation for your business with a form factor that fits into the palm of your hand. Users can leverage the DigiVue Mini to enable any display solution to become a sleek user friendly solution.

KEY FEATURES & BENEFITS

Reliable Performance

- ★ Compact Design
- ★ Supports Windows, Android and Linux
- ★ Built in VESA Mount (75 x 75 and 100 x 100)
- ★ HDMI & Display Port

Custom Configuration

- ★ Expandable storage with an additional NVMe SSD slot
- ★ Versatile Mounting Options

DESIGNED AS AN IDEAL SOLUTION FOR:



Retail



Casino



Healthcare



Restaurant



AND MORE!

DigiVue Mini

PC



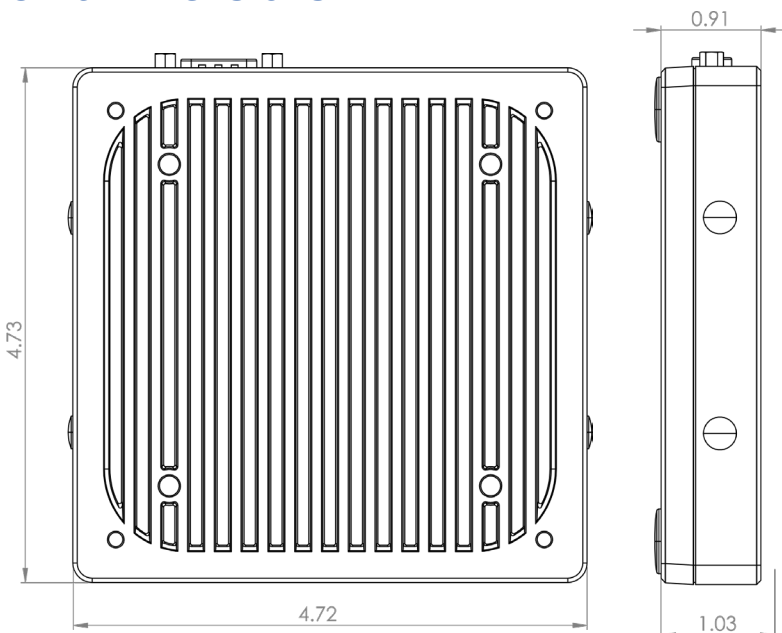
Product Specifications

Processor	Intel® Celeron® Elkhart Lake CPU J6412
Memory	8GB LPDDR4
Storage	1 x 128GB eMMC onboard, 1 x NVMe SSD (optional)
Graphic Engine	Intel UHD Graphics for 10th Gen Intel® Processors
Supported OS	Windows 10 IoT Enterprise, Windows 11 GAC, Windows 11 Pro, Linux, Android 13
I/O Ports	3x USB 3.0, 1x USB 2.0 1x USB-C with PD* 1x Audio Out Jack Port 1x HDMI Port, 1x Display Port 1x DB9 Serial Port with Power Option 1x RJ45 Gigabit LAN 1x DC-in
Power	36W /12V
Wireless Communication	WiFi 6, BT 5.2 (optional)
Expansion Slots	1 x m.2 slot for SSD (supports SATA and NVMe) 1 x m.2 slot for WIFI 1 x MicroSD Card Slot (internal, supports micro SD UHS1 U1 or Class10 cards)
Dimensions	4.7" x 0.9" x 4.7"
Weight	0.85 lbs
VESA	75 x 75mm and 100 x 100mm

Product specifications and data are subject to change without notice.

*PD=Power Delivery

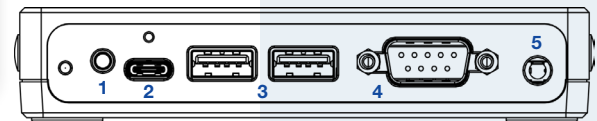
Unit Dimensions



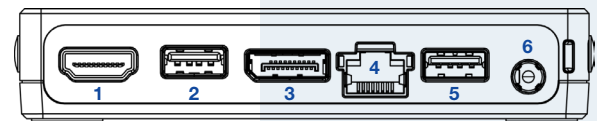
Default Configurations

Product Code	Description
DVM88X0NNN	DigiVue Mini PC Intel® Elkhart Lake J6412 8GB RAM 128GB eMMC Standard without OS
DVM88X0NNA	DigiVue Mini PC Intel® Elkhart Lake J6412 8GB RAM 128GB eMMC Standard with Android 13
DVM88X0NNM	DigiVue Mini PC Intel® Elkhart Lake J6412 8GB RAM 128GB eMMC Standard with Windows 10 IoT LTSC
DVM88X0NN6	DigiVue Mini PC Intel® Elkhart Lake J6412 Windows
DVM88X0NNG	DigiVue Mini PC Intel® Elkhart Lake J6412 8GB RAM 128GB eMMC Standard with Windows 11 IoT GAC
DVM88X0NN1	DigiVue Mini PC Intel® Elkhart Lake J6412 8GB RAM 128GB eMMC Standard with Windows 11 Prof

I/O Interfaces



- 1. Power Button
- 2. USB-C Port
- 3. USB-A Ports
- 4. COM Port
- 5. Audio Jack



- 1. HDMI Port
- 2. USB-A Port
- 3. DisplayPort
- 4. LAN Port
- 5. USB-A Port
- 6. Power Port



CONTACT US TODAY!