

## Digivue Mini PC



### Product Overview

Transform your business with the cutting edge Digivue Mini. Experience the perfect blend of compact design and powerful performance. This solution will enable your digital signage, kiosks and touchscreen solutions to be scalable platforms. The Digivue Mini supports Windows 10 IoT, Windows 11, Android 13 and Linux. Expand storage with an additional NVMe SSD slot. Stay connected wirelessly with a choice of two types of WiFi antenna installations. Multiple video ports allow you to connect up to three displays for stunning 4K clarity. Discover digital transformation for your business with a form factor that fits into the palm of your hand. Users can leverage the Digivue Mini to enable any display solution to become a sleek user friendly solution.

### KEY FEATURES & BENEFITS

#### Reliable Performance

- ★ Compact Design
- ★ Supports Windows, Android and Linux
- ★ Built in Vesa Mount (75 x 75 and 100 x 100)
- ★ HDMI and Display Port

#### Custom Configuration

- ★ Expandable storage with an additional NVMe SSD slot
- ★ Versatile Mounting Options

### DESIGNED AS AN IDEAL SOLUTION FOR:



Retail



Casino



Healthcare



Restaurant



AND MORE!

# Digivue Mini

## PC

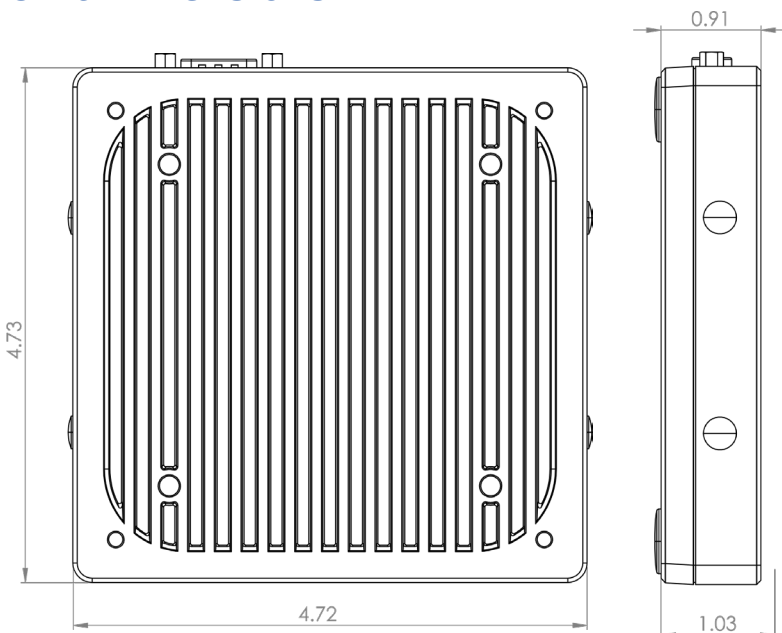


### Product Specifications

<b>Processor</b>	Intel® Celeron® Elkhart Lake CPU J6412
<b>Memory</b>	8GB LPDDR4
<b>Storage</b>	1x128GB eMMC onboard, 1x OPTIONAL NVMe SSD
<b>Graphic Engine</b>	Intel UHD Graphics for 10th Gen Intel® Processors
<b>Supported OS</b>	Windows 10 IOT Enterprise, Windows 11 GAC, Windows 11 Pro, Linux, Android 13
<b>I/O Ports</b>	3x USB 3.0, 1x USB 2.0 1x USB-C (full function, alt. video mode, power delivery) 1x Audio Out 3.5mm jack 1x HDMI Port, 1x DisplayPort 1x DB9 Serial Port with Power Option 1x RJ45 Gigabit LAN 1x DC-in
<b>Power</b>	36W /12V
<b>Wireless Communication</b>	WIFI 6, BT 5.2 (OPTIONAL)
<b>Expansion Slots</b>	m.2 slot for SSD: 1x m.2 Slot supports SATA and NVMe m.2 slot for WIFI: 1x MicroSD Card Slot: 1x (internal, supports micro SD UHS1 U1 or Class10 cards)
<b>Dimensions</b>	4.7" x 0.9" x 4.7"
<b>Weight</b>	0.85 LBS
<b>VESA</b>	75 x 75mm and 100 x 100mm

Product specifications and data are subject to change without notice.

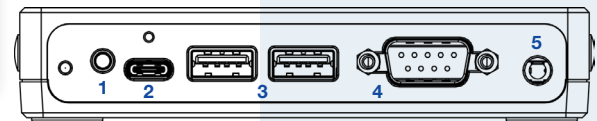
### Unit Dimensions



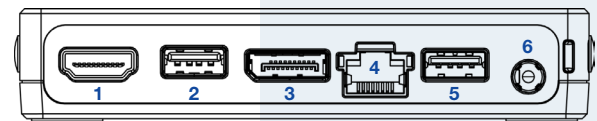
### Default Configurations

Product Code	Description
<b>DVM88X0NNN</b>	Digivue Mini PC Intel Elkhart Lake J6412 8GB Ram 128GB eMMC Standard without OS
<b>DVM88X0NNA</b>	Digivue Mini PC Intel Elkhart Lake J6412 8GB Ram 128GB eMMC Standard with Android 13
<b>DVM88X0NNM</b>	Digivue Mini PC Intel Elkhart Lake J6412 8GB Ram 128GB eMMC Standard with Windows 10 IoT LTSC
<b>DVM88X0NN6</b>	Digivue Mini PC Intel Elkhart Lake J6412 Windows
<b>DVM88X0NNG</b>	Digivue Mini PC Intel Elkhart Lake J6412 8GB Ram 128GB eMMC Standard with Windows 11 IoT GAC
<b>DVM88X0NN1</b>	Digivue Mini PC Intel Elkhart Lake J6412 8GB Ram 128GB eMMC Standard with Windows 11 Prof

### I/O Interfaces



- 1. Power Button
- 2. USB-C Port
- 3. USB-A Ports
- 4. COM Port
- 5. Audio Jack



- 1. HDMI Port
- 2. USB-A Port
- 3. DisplayPort
- 4. LAN Port
- 5. USB-A Port
- 6. Power Port



**CONTACT US TODAY!**