

TOUCH DYNAMIC

Pulse Ultra All-in-One

Meet the demands of your business with the fully customizable Pulse Ultra All-in-One! Equipped with Intel® Celeron® J6412 and Intel® Core™ options, the Pulse Ultra promises high power and lightning-fast performance. Its True Flat PCAP multi-touch screen keeps employees efficient and customers engaged with a crystal-clear HD display. Choose memory options from 8GB up to 32GB. Customizable peripherals, like customer rear display, magnetic stripe reader, mounted barcode scanner, and fingerprint reader, bring it all together. **Discover the Touch Dynamic Difference.**



KEY FEATURES & BENEFITS

Slim & Sleek Design

- ★ **Multiple CPU** options
- ★ Up to **32GB** of **high-speed DDR4** memory
- ★ Available in **15" or 17" Display**

Custom Configuration

- ★ Optional **11.6" or 15.6" rear display**
- ★ **Wall Mount and Printer Base** options available

DESIGNED AS AN IDEAL SOLUTION FOR:



Restaurants



Casino



Retail



Healthcare



AND MORE!



Pulse Ultra

All-in-One



Product Specifications

Display Size	15"	17"
CPU / Processor	Intel® Celeron® J6412 Intel® Core™ i3-1115G4 Intel® Core™ i5-11135G7	Intel® Processor N97 Intel® Core™ i3-N305
Memory	8GB DDR4, up to 32GB	8GB DDR4, up to 32GB
Storage	1 x 128GB drive (M.2 NVMe) (larger drives available)	1 x 128GB drive (M.2 NVMe) (larger drives available)
Supported OS & GMS	Windows 10 IoT Enterprise, Windows 11 Professional, Windows 11 IoT LTSC, Linux, Android 13	Windows 10 IoT Enterprise, Windows 11 Professional, Windows 11 IoT LTSC, Linux, Android 13
I/O Ports	2 x USB 3.0, 2 x USB 2.0 2 x USB-C (J6412: 2 x data only, i3/i5: 1 x PD* & video, 1 x data only) 1 x custom miniDP (convertible to HDMI or VGA) 2 x DB9 Serial w. Power Option 1 x RJ45 Gigabit LAN 1 x RJ-11 Cash Drawer Port 1 x 4-PIN PSU Connector (w. latch) (option) 1 x Audio Out 3.5mm jack	2 x USB 3.0, 4 x USB 2.0 1 x USB-C 1 x custom miniDP (convertible to HDMI or VGA) 3 x Serial Ports (RJ45 w. adapter to DB9) 1 x RJ45 Gigabit LAN 1 x RJ-11 Cash Drawer Port (option) Powered USB: 2 x +12V, 1 x +24V, or 2nd LAN w. Audio
Display	15" True-Flat PCAP Multi-Touch (1024x768), 4:3	17" True-Flat PCAP Multi-Touch (1280x1024), 4:3
Peripherals	3-Track MSR (USB) HID global fingerprint reader (USB) LCM 2x20 customer display (USB) 11.6" and 15.6" 2nd display with touch 2D Honeywell barcode scanner Supports most common PIN pads available from Ingenico, PAX, Verifone, IDTECH, and others	
Dimensions	14.2" W x 13.1" H x 8.3" D	15.4" W x 14.2" H x 8.3" D

*PD = Power Delivery

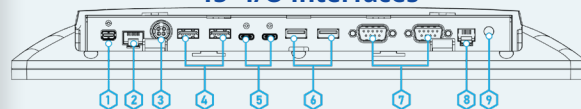
Product specifications and data are subject to change without notice.

Default Configurations

Product Code	Description
P5100LN1N-00NNNNN	Intel Celeron J6412, 4GB RAM, 128GB NVMe SSD, WIN 11 IOT LTSC*, Standard Base
P51001N1N-00NNNNN	Intel Celeron J6412, 4GB RAM, 128GB NVMe SSD, WIN 11 PRO, Standard Base
P5200LN1N-00NNNNN	Intel Core i3-1115G4, 4GB RAM, 128GB NVMe SSD, WIN 11 IOT LTSC*, Standard Base
P52001N1N-00NNNNN	Intel Core i3-1115G4, 4GB RAM, 128GB NVMe SSD, WIN 11 PRO, Standard Base
P5300LN1N-00NNNNN	Intel Core i5-1135G7, 4GB RAM, 128GB NVMe SSD, WIN 11 IOT LTSC*, Standard Base
P53001N1N-00NNNNN	Intel Core i5-1135G7, 4GB RAM, 128GB NVMe SSD, WIN 11 PRO, Standard Base

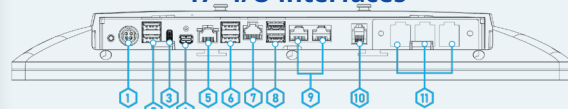
*WIN 10 IOT LTSC also available

15" I/O Interfaces



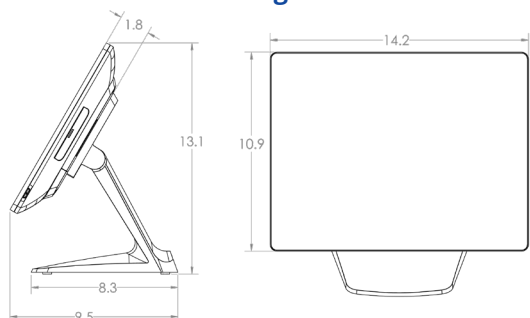
- 1 CUSTOM VIDEO PORT
- 2 RJ-45 NETWORK PORT
- 3 DC-IN LOCKING CONNECTOR
- 4 USB 2.0 (2 PORTS)
- 5 USB-C (2 PORTS)
- 6 USB 3.0 (2 PORTS)
- 7 COM (2 PORTS)
- 8 RJ-11 CASH DRAWER PORT
- 9 (OPTION) AUDIO OUT

17" I/O Interfaces

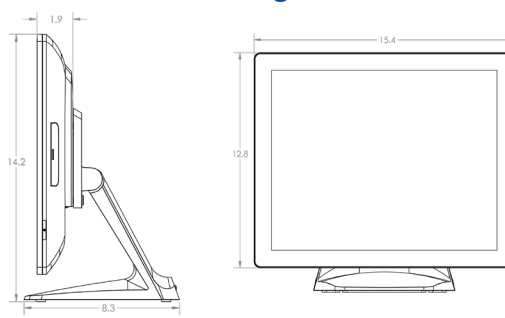


- 1 DC-IN LOCKING CONNECTOR
- 2 USB 2.0 (2 PORTS)
- 3 CUSTOM VIDEO PORT
- 4 RJ-45 NETWORK PORT
- 5 USB 2.0 (2 PORTS)
- 6 RJ-48 SERIAL PORT
- 7 RJ-48 SERIAL PORT
- 8 USB 3.0 (2 PORTS)
- 9 RJ-48 SERIAL PORT (2 PORTS)
- 10 RJ-11 CASH DRAWER PORT
- 11 (OPTION) POWERED USB EXPANSION BOARD 1X 24V, 2 X 12V POWERED USB

Pulse Ultra 15" Drawing



Pulse Ultra 17" Drawing



CONTACT US

